



KZ-IB8369

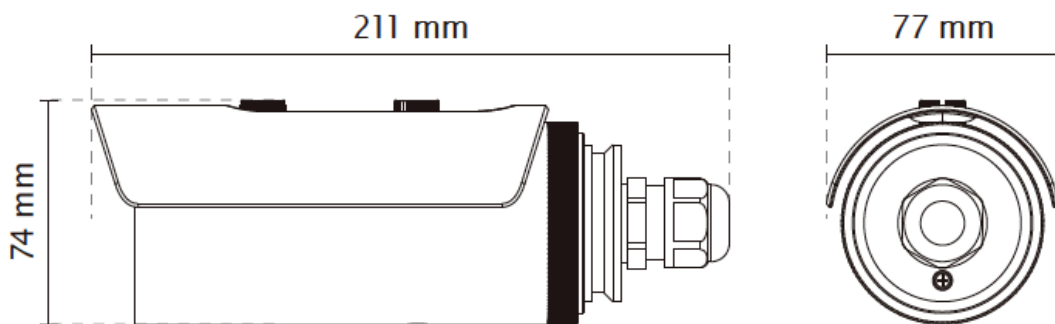
2MP Full HD 1080p Network Outdoor Bullet Camera

Features

- ▷ 2-Megapixel CMOS Sensor
- ▷ 30 fps @ 1920x1080
- ▷ Real-time H.264, MJPEG Compression (Dual Codec)
- ▷ Removable IR-cut Filter for Day & Night Function
- ▷ Built-in IR Illuminators, Effective up to 20 Meters
- ▷ Built-in 802.3af Compliant PoE
- ▷ Build-in MicroSD/SDHC/SDXC card slot for On-board Storage
- ▷ Supports ONVIF Standard to Simplify Integration and Enhance Interoperability
- ▷ Weather-proof IP66-rated Housing
- ▷ Mounting Bracket with Cable Management for Protected Installation
- ▷ 3D Noise Reduction
- ▷ Smart IR Technology to Avoid Overexposure
- ▷ WDR Enhancement for Unparalleled Visibility in Extremely Bright and Dark Environments



Camera Dimension





Specification

Model	KZ-IB8369
System Information	
CPU	Multimedia SoC (System-on-Chip)
Flash	128MB
RAM	256MB
Camera Features	
Image Sensor	1/2.7" Progressive CMOS
Maximum Resolution	1920x1080 (2MP)
Lens Type	Fixed-focal
Focal Length	f = 3.6 mm
Aperture	F2.0
Field of View	84° (horizontal)/68° (vertical)/114° (diagonal)
Shutter Time	1/5 sec. to 1/32,000 sec.
WDR Technology	WDR Enhanced
Day/Night	Removable IR-cut filter for day & night function
Minimum Illumination	0.78 Lux @ F2.0 (Color)/0.006 Lux @ F2.0 (B/W)/0 Lux @ IR LED ON
Pan/tilt/zoom Functionalities	ePTZ: 48x digital zoom (4x on IE plug-in, 12x built-in)
IR Illuminators	Built-in IR illuminators, effective up to 20 meters with Smart IR, IR LED*6
On-board Storage	Micro SD/ SDHC/SDXC card slot
Video	
Compression	H.264 & MJPEG
Maximum Frame Rate	30 fps @ 1920x1080 In both compression modes
Maximum Streams	3 simultaneous streams
S/N Ratio	Above 53 dB
Dynamic Range	54.5 dB
Video Streaming	Adjustable resolution, quality and bitrate Configurable video cropping for bandwidth saving
Image Settings	Adjustable image size, quality and bit rate Time stamp, text overlay, flip & mirror Configurable brightness, contrast, saturation, sharpness, white balance, exposure control, gain, backlight compensation, privacy masks Scheduled profile settings, 3D Noise Reduction
Network	
Users	Live viewing for up to 10 clients
Protocols	IPv4, IPv6, TCP/IP, HTTP, HTTPS, UPnP, RTSP/RTP/RTCP, IGMP, SMTP, FTP, DHCP, NTP, DNS, DDNS, PPPoE, CoS, QoS, SNMP, 802.1X, UDP, ICMP
Interface	10Base-T / 100BaseTX Ethernet (RJ-45) *It is highly recommended to use standard Cat. 5e & Cat. 6 cables which are compliant with the 3P/ETL standard.
Intelligent Video	
Video Motion Detection	Triple-window video motion detection
Alarm and Event	
Alarm Triggers	Video motion detection, manual trigger, digital input, periodical trigger, system boot, recording notification, camera tampering detection, audio detection
Alarm Events	Event notification using digital output, HTTP, SMTP, FTP and NAS server File upload via HTTP, SMTP, FTP and NAS server
General	
Connectors	RJ-45 for Network/PoE connection
LED Indicator	System power and status indicator
Power Input	DC 12V /IEEE 802.3af PoE Class3
Power Consumption	Max. 6.5 W (DC12V)/ Max. 7.5 W (PoE)
Dimensions	Ø: 77 mm x 211 mm
Weight	Net: 720 g / Bracket: 300 g
Casing	Weather-proof IP66-rated housing, Mounting bracket with cable management
Safety Certifications	CE, LVD, FCC Class A, VCCI, C-Tick
Operating Temperature	Starting Temperature: -10°C ~ 50°C (14°F~122°F) Working Temperature: -20°C ~ 50°C (-4°F ~ 122°F)