



KZ-FD8169

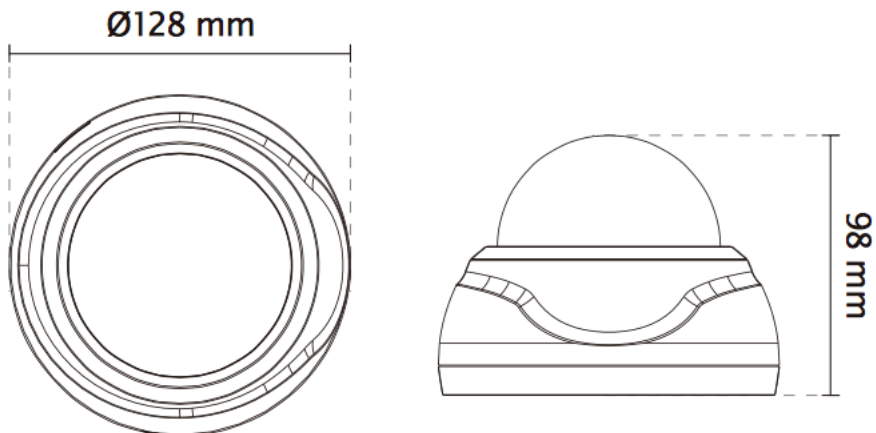
2MP Full HD 1080p Network Indoor Fixed Dome Camera

Features

- ▷ 2-Megapixel CMOS Sensor
- ▷ 30 fps @ 1920x1080
- ▷ Real-time H.264, MJPEG Compression (Dual Codec)
- ▷ Removable IR-cut Filter for Day & Night Function
- ▷ Built-in IR Illuminators, Effective up to 15 Meters
- ▷ Built-in 802.3af Compliant PoE
- ▷ Build-in MicroSD/SDHC/SDXC Card Slot for On-board Storage
- ▷ Supports ONVIF Standard to Simplify Integration and Enhance Interoperability
- ▷ 3D Noise Reduction
- ▷ Smart IR Technology to Avoid Overexposure
- ▷ WDR Enhancement for Unparalleled Visibility in Extremely Bright and Dark Environments



Camera Dimension





Specification

Model	KZ-FD8169 (f=2.8mm)/ KZ-FD8179-F3 (f=3.6mm)
System Information	
CPU	Multimedia SoC (System-on-Chip)
Flash	128MB
RAM	256MB
Camera Features	
Image Sensor	1/2.7" Progressive CMOS
Maximum Resolution	1920x1080 (2MP)
Lens Type	Fixed-focal
Focal Length	f=2.8mm/ f=3.6mm (FD8169-F3)
Aperture	F2.0
Field of View	FD8169:105° (Horizontal) 87° (Vertical) 135° (Diagonal) ; FD8169-F3: 93° (Horizontal) 50° (Vertical) 116° (Diagonal)
Shutter Time	1/5 sec. to 1/32,000 sec.
WDR Technology	WDR Enhanced
Day/Night	Removable IR-cut filter for day & night function
Minimum Illumination	1.22 Lux @ F2.0 (Color) 0.008 Lux @ F2.0 (B/W) 0Lux@IRLEDON
Pan Range	348°
Tilt Range	70°
Rotation Range	345°
Pan/tilt/zoom Functionalities	ePTZ: 48x digital zoom (4x on IE plug-in, 12x built in)
IR Illuminators	Built-in IR illuminators, effective up to 15 meters with Smart IR IR LED*6
On-board Storage	Micro SD/ SDHC/SDXC card slot
Video	
Compression	H.264 & MJPEG
Maximum Frame Rate	30 fps @ 1920x1080 In both compression modes
Maximum Streams	3 simultaneous streams
S/N Ratio	above 53 dB
Dynamic Range	54.5 dB
Video Streaming	Adjustable resolution, quality and bitrate Configurable video cropping for bandwidth saving
Image Settings	Adjustable image size, quality and bit rate, Time stamp, text overlay, flip & mirror, Configurable brightness, contrast, saturation, sharpness, white balance, exposure control, gain, backlight compensation, privacy masks, Scheduled profile settings, Seamless recording, smart stream, 3D Noise Reduction
Audio	
Audio Capability	Audio input /output (full duplex)
Compression	G.711, G.726
Interface	External microphone input / External line output
Network	
Users	Live viewing for up to 10 clients
Protocols	IPv4, IPv6, TCP/IP, HTTP, HTTPS, UPnP, RTSP/RTP/RTCP, IGMP, SMTP, FTP, DHCP, NTP, DNS, DDNS, PPPoE, CoS, QoS, SNMP, 802.1X, UDP, ICMP
Interface	10Base-T / 100BaseTX Ethernet (RJ-45). It is highly recommended to use standard Cat. 5e & Cat. 6 cables which are compliant with the 3P/ETL standard.
Intelligent Video	
Video Motion Detection	Triple-window video motion detection
Alarm and Event	
Alarm Triggers	Video motion detection, manual trigger, digital input, periodical trigger, system boot, recording notification, camera tampering detection, audio detection
Alarm Events	Event notification using digital output, HTTP, SMTP, FTP and NAS server, SD Card File upload via HTTP, SMTP, FTP, NAS server and SD card
General	
Connectors	RJ-45 for Network/PoE connection
LED Indicator	System power and status indicator
Power Input	DC 12V /IEEE 802.3af PoE Class3
Power Consumption	MAX: 6.5 W (DA12V)/ MAX: 7.5 W (PoE)
Dimensions	∅: 128x 98mm
Weight	Net: 435 g
Safety Certifications	CE, LVD, FCC Class A, VCCI, C-Tick, UL
Operating Temperature	Starting Temperature: 0°C ~ 50°C Working Temperature: -10°C ~ 50°C